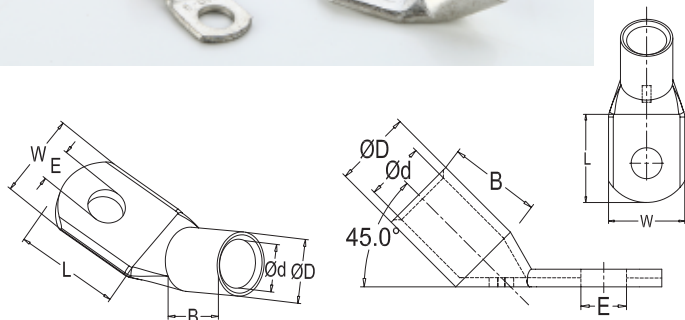


RCCN 日成GC45° 型铜管端子 GC45° Copper Tube Terminals



型号 Item No.	尺寸 DIMENSION					
	E	D ϕ	d ϕ	W	B	L
GC45-10/6	6.4	6.9	4.7	11.9	10.0	12.5
GC45-10/8	8.3	6.9	4.7	13.5	10.0	15.5
GC45-16/6	6.4	7.8	5.6	11.9	11.0	12.0
GC45-16/8	8.3	7.8	5.6	13.5	11.0	15.5
GC45-25/8	8.3	9.5	7.1	14.0	13.0	16.0
GC45-25/10	10.5	9.5	7.1	16.0	13.0	19.0
GC45-35/8	8.3	11.0	8.2	16.5	16.0	18.0
GC45-35/10	10.5	11.0	8.2	16.5	16.0	22.0
GC45-50/10	10.5	12.5	9.5	17.9	19.0	22.0
GC45-50/12	13.0	12.5	9.5	17.9	19.0	22.0
GC45-70/10	10.5	15.0	11.5	21.5	21.0	22.0
GC45-70/12	13.0	15.0	11.5	21.5	21.0	22.0
GC45-95/14	14.5	17.0	13.5	24.7	24.0	33.0
GC45-95/16	16.5	17.0	13.5	24.7	24.0	33.0
GC45-120/14	14.5	20.0	15.6	28.9	27.0	33.0
GC45-120/16	16.5	20.0	15.6	28.9	27.0	33.0
GC45-150/14	14.5	21.0	16.5	30.4	32.0	33.0
GC45-150/16	16.5	21.0	16.5	30.4	32.0	33.0
GC45-185/16	16.5	23.6	18.4	34.0	34.0	35.0
GC45-240/16	16.5	26.4	21.2	38.5	38.0	35.0



RCCN 日成GC90° 型铜管端子 GC90° Copper Tube Terminals



型号 Item No.	尺寸 DIMENSION					
	E	D ϕ	d ϕ	W	B	L
GC90-10/6	6.4	6.9	4.7	11.9	10.5	12.5
GC90-10/8	8.3	6.9	4.7	13.5	10.5	15.5
GC90-16/6	6.4	7.8	5.6	11.9	11.0	12.0
GC90-16/8	8.6	7.8	5.6	13.5	11.0	15.5
GC90-25/8	8.3	9.5	7.1	14.0	13.0	16.0
GC90-25/10	10.5	9.5	7.1	16.0	13.0	19.0
GC90-35/8	8.3	11.0	8.2	16.5	16.0	18.0
GC90-35/10	10.5	11.0	8.2	16.5	16.0	22.0
GC90-50/10	10.5	12.5	9.5	17.9	19.0	22.0
GC90-50/12	13.0	12.5	9.5	17.9	19.0	22.0
GC90-70/10	10.5	15.0	11.5	21.5	21.0	22.0
GC90-70/12	13.0	15.0	11.5	21.5	21.0	22.0
GC90-95/14	14.5	17.0	13.5	24.7	24.0	33.0
GC90-95/16	16.5	17.0	13.5	24.7	24.0	33.0
GC90-120/14	14.5	20.0	15.6	28.9	27.0	33.0
GC90-120/16	16.5	20.0	15.6	28.9	27.0	33.0
GC90-150/14	14.5	21.0	16.5	30.4	32.0	33.0
GC90-150/16	16.5	21.0	16.5	30.4	32.0	33.0
GC90-185/16	16.5	23.6	18.4	34.0	34.0	35.0
GC90-240/16	16.5	26.4	21.2	41.0	38.0	35.0

